

CFP

range



2 to 8 zone
EN54
conventional fire
alarm panels



LPCB Ref. 176b/07
to BS EN 54 pts 2 & 4



SYNCOLN

2-8 Zone EN54 Conventional Fire Alarm Panels

CFP range

LPCB certified to the latest revisions of EN54 parts 2 and 4, our new-look super-enhanced CFP conventional fire panel offers an array of user and installer-friendly features at a very competitive price.

Supplied in an attractive flush or surface mountable plastic enclosure, 2, 4 and 8 zone versions are available, each featuring four conventional sounder circuits, class change and alert inputs, on-board fire and fault relays and combined keypad/keyswitch entry.

A wide range of engineering functions are also provided including selectable zone delays, coincidence and non-latching zone facilities. Comprehensive test and fault finding facilities are also provided.



LPCB Ref. 176b/07
to BS EN 54 pts 2 & 4

The CFP's LPCB stamp of approval demonstrates that the panel has been tested and certified as being compliant with EN54 parts 2 and 4 by the Loss Prevention Certification Board, one of the most-respected independent approval bodies in the world.



CFP features

- ▶ LPCB certified to the latest versions of EN54 Parts 2 and 4
- ▶ Intuitive user-friendly interface with colour-coded buttons and combined keypad/keyswitch entry to access level 2
- ▶ 2, 4 or 8 zone circuits (dependent on model purchased)
- ▶ Four conventional sounder circuits
- ▶ Integral 1.5A EN54-4/A2 compliant switch mode PSU
- ▶ Wide range of engineering functions including zone test, coincidence*, zone delay and non-latching zones*
- ▶ Two on-board relays (Fire and Fault)
- ▶ Two open-collector outputs (Remote and Reset)
- ▶ 'Class change' and alert inputs
- ▶ Installer-friendly design accommodates easy first fix and straightforward maintenance
- ▶ Attractive flush or surface mountable plastic lid and enclosure - no bezel required
- ▶ Low quiescent current
- ▶ Multiple indicators
- ▶ End of line units included (one per zone)
- ▶ Ancillary system expansion connections provided for up to eight two-wire repeaters (one CFP761 network driver card required per system) and optional CFP relay boards
- ▶ Space for two x 12V 3.2Ah VRLA batteries

CFP702-4/SYN, CFP704-4/SYN, CFP708-4/SYN Technical Specifications

Power Supply Specification

Mains supply voltage	230V 50/60Hz
Mains rated current	350mA maximum
Internal power supply	19V - 28.5V (27V nominal). Ripple 7V maximum (battery fault)
Total output current limited to	1.5A @ 230Vac (ImaxA = 146mA)
Quiescent current	25mA (Mains failed, internal sounder active, power supply & general fault lights lit)
Supply and battery charger monitored for failure	YES (battery charger is also temperature compensated)
Batteries monitored for disconnection and failure	YES
Batteries protected against deep discharge	YES (Deep discharge cut off approx. 21 volts)
Max. battery size and type	2 x 12V 3.2Ah VRLA connected in series (use YUASA NP3.2-12 for LPCB approved systems) Minimum battery size = 1.2Ah
Mains fuse	240V 1A HRC ceramic 20mm compliant with IEC (EN60127 PT2)
Battery fuse	1.6A F 20mm compliant with IEC (EN60127 PT2)
Current draw from battery (Mains failed)	1.5A maximum

Detector Circuit Specification

Number of circuits/zones	2 (CFP702-4/SYN), 4 (CFP704-4/SYN) or 8 (CFP704-8/SYN)
Max cable length per circuit	500 metres
Cable type	Fire resistant screened cable, minimum conductor size 1mm ²
Connector blocks	Plug-on type, largest acceptable conductor size 1.5mm ²
Line monitored for open circuit and short circuit	YES - DC monitoring
Line monitored for detector removal	YES - end of line monitoring device modules provided
Max. allowable impedance (each conductor)	20 Ohm
Max. cable capacitance	0.27uF
Call point resistor value	470 to 680Ω
Max. number of smoke/heat detectors per zone	25
Max. combined number of detectors & call points	32 per zone

Sounder Circuit Specification

Number of circuits	4
Max cable length per circuit	500 metres
Cable type	Fire resistant screened cable, minimum conductor size 1mm ²
Connector blocks	Plug-on type, largest acceptable conductor size 1.5mm ²
End of line resistor value	6800 ohm 5% Tol. 0.25W (blue, grey, red, gold)
Each circuit monitored for open and short circuit	YES - reverse voltage DC monitoring. Indicated by common fault
Alarm voltage	27V maximum, 20V minimum (final battery voltage)
Sounder circuit fuses (one per circuit)	Resettable type (200mA min. hold current; 400mA max. trip current; 50mA when tripped. Reset when faults removed)
Max. total sounder output current to all outputs	4 x 200mA = 800mA
Max. No. of bells @ 25mA	32
Max. No. of electronic sounders @ 20mA	40 (sounders must be polarised)

Auxiliary Relay Outputs

Aux. Fire relay output (AUX)	Voltage-free single pole changeover; Max switching current 1A; Max. switching voltage 30Vdc
Fault relay output (FAULT)	Voltage-free single pole changeover; Max switching current 1A; Max. switching voltage 30Vdc

Auxiliary Open Collector Outputs

Reset output (RESET)	Non-monitored open collector type; Active during reset cycle; Max. sink current 30mA; Max. open circuit voltage 27Vdc
Remote output (REM)	Non-monitored open collector type; Active during any unsilenced fire condition (provided all relevant delays have expired); Max. sink current 30mA; Max. open circuit voltage 27Vdc
24V aux power output (for use with the above)	Output protected by a resettable fuse (100mA min. hold current). Resets when fault removed

Auxiliary Inputs

Class Change (makes sounders sound continuously)	Connect to 0V to trigger. Max. input voltage 27V (non-latching)
Alert (makes sounders pulse intermittently)	Connect to 0V to trigger. Max. input voltage 27V (non-latching)

User & Engineer Controls

General user controls (access level one)	Mute internal sounder; Override delays; Enter access level
Authorised user controls (access level two)	Silence alarm sounders; Activate alarm sounders; Reset the system; Test the lamps; (Entry via keypad code or keyswitch); Disable/enable zones; Disable/enable fault output; Disable/enable remote output; Disable/enable sounders; Disable/enable auxiliary output; Disable/enable output delays
Engineer controls (access level three)	Program coincidence (double knock); Invoke one man walk test; Program delays; Set up zones for non-latching operation; Program sounders to resound (or not resound) when a new zone enters alarm; Enter fault diagnostic facilities

Indicators

External indicators	General fire; Zone fire; Zone fault; Zone disabled; Zone test; Supply present; Remote output activated; Remote output status; Test; Accessed; General disablement; Fault output status; General fault; System fault; Repeater fault; System status; Sounder status; Power supply fault; Auxiliary output status; Output delays
Internal indicators	System fault (distinguishes between watchdog, site memory and phase lock loop faults); Zone fault (distinguishes between open circuit and short circuit faults); Hazardous voltages present; Repeater fault (indicates which repeaters, if fitted, are faulty)

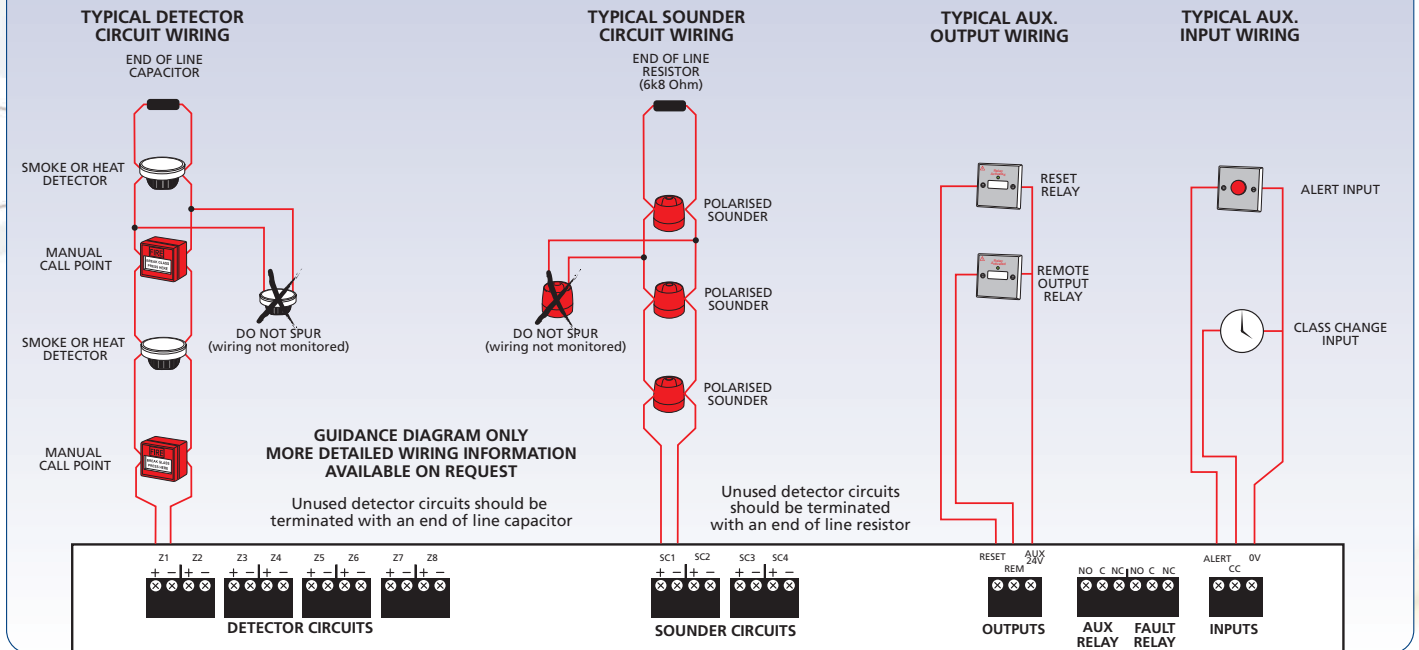
Dimensions

Physical size / Weight	Size = 380 x 235 x 96mm approx. / 1.75kg (without batteries)
Construction	Plastic lid and base
Enclosure finish	Red
IP rating	IP30

Operating conditions

The components are selected to operate within their specification when the environmental conditions outside the enclosure comply with class 3k3 of IEC 721-3-3:1978. Temperature range: -5 to +40°C. Maximum relative humidity: 95%

TYPICAL WIRING



CFP STANDARD FIRE PANELS & ANCILLARIES

CFP702-4/SYN	CFP Standard 2 zone panel, keypad/keyswitch entry, does not extend, LPCB certified to EN54-2/4
CFP704-4/SYN	CFP Standard 4 zone panel, keypad/keyswitch entry, does not extend, LPCB certified to EN54-2/4
CFP708-4/SYN	CFP Standard 8 zone panel, keypad/keyswitch entry, does not extend, LPCB certified to EN54-2/4
CFP760	CFP 8 zone repeater panel, up to 8 per system, keypad/keyswitch entry
CFP761	CFP network driver card (one required per repeater system, fit at main)
CFP762	CFP relay output card (provides reset, fault, aux fire & remote relays)
CFP763	CFP relay output card (provides 12 relays - reset, fault, aux fire & remote relays plus 8 output per zone relays)
CFP764	CFP relay output card (provides 8 output per zone relays)
CFP765	CFP relay output card (provides 4 output per zone relays)
CFP766	CFP relay output card (provides 2 output per zone relays)
BF362	Barrier interface unit (allows a CFP zone circuit to be connected to up to 10 intrinsically safe detectors and call points via a Zener barrier (not supplied))



SYNCOLN

Syncoln Ltd
3rd Floor
14 Hanover Street
Mayfair
London
W1S 1YH
United Kingdom



LPCB Ref. 176b/07
to BS EN 54 pts 2 & 4

Tel: 02075145813
Email: sales@syncoln.com
Web: www.syncoln.com

Certificate No 176b-(cl-3) to EN 54-2:1997 + A1:2006 & EN 54-4:1997 + A1:2002 + A2:2006



© Errors and omissions excepted.